

Southern Lighting Group

Item: **Tennis Court Light fixtures**

Attachments

Specification for SP02-LED SPORTS LIGHT 400W.pdf

George English - 7 Courts -- 20220406.pdf

Custom Shield Drawings.jpg

LED SPORTS LIGHT

HL-SP-300WD/400WD/500WD-S-A-X

Specifications

Electrical Data

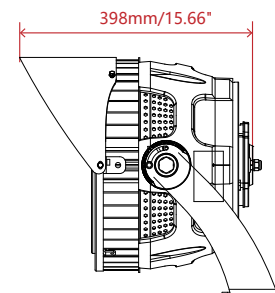
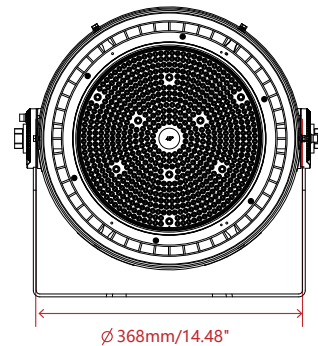
Wattage	300W/400W/500W
PowerSupply	MEANWELL
Input Voltage	AC100-277V/AC200-480V
Power Frequency	50/60Hz
Power Efficiency	>93%
Power Factor	0.95
Total Harmonic Distortion	<15%



Optical Data

Lumen Version

LED Type	LUMILEDS
Efficiency	130lm/W
Luminous Flux	39000/52000/65000lm
CCT	3000K/4000K/5000K/5700K/6500K
CRI	>80Ra
System Efficiency	>90%
Beam Angle	Optional
EPA	0.97ft ²



Others

IP	IP66
Lifetime(L70)	145000hours
Heat Radiator	Cold forging aluminum
Lens Material	PC
Control Method	1-10V Light Control, Intelligence
Carton Dimension	L450*W450*H355mm
Gross Weight	16.5kg
Fixture Dimension	φ368*398mm
Net Weight	14.8kg



Luminaire Schedule							
Symbol	Qty	Label	Arrangement	Total Lamp Lumens	LLF	Lum. Watts	Total Watts
	56	SP02-400W-450x30Z	SINGLE	48581	0.900	403.517	22596.95

Calculation Summary										
Label	CalcType	Units	Avg	Max	Min	Avg/Min	Max/Min	# Pts	CV	UG
Tennis 1	Illuminance	Fc	50.50	60.2	41.3	1.22	1.46	45	0.09	1.28
Tennis 2	Illuminance	Fc	52.99	61.5	46.9	1.13	1.31	45	0.08	1.22
Tennis 3	Illuminance	Fc	53.48	62.7	46.5	1.15	1.35	45	0.08	1.25
Tennis 4	Illuminance	Fc	54.11	65.1	45.8	1.18	1.42	45	0.10	1.25
Tennis 5	Illuminance	Fc	53.50	61.3	45.1	1.19	1.36	45	0.09	1.21
Tennis 6	Illuminance	Fc	56.19	66.7	48.6	1.16	1.37	45	0.09	1.31
Tennis 7	Illuminance	Fc	50.95	60.0	44.3	1.15	1.35	45	0.09	1.27

Luminaire Location Summary												
Label	X	Y	Z	Offset	Roll	Y-Angle	X-Angle	Z-Angle	Y-Range	X-Range	Z-Range	Y-Range
1	27	123	0	0	0	0	0	0	0	0	0	0
2	27	123	0	0	0	0	0	0	0	0	0	0
3	27	123	0	0	0	0	0	0	0	0	0	0
4	27	123	0	0	0	0	0	0	0	0	0	0
5	27	123	0	0	0	0	0	0	0	0	0	0
6	27	123	0	0	0	0	0	0	0	0	0	0
7	27	123	0	0	0	0	0	0	0	0	0	0
8	27	123	0	0	0	0	0	0	0	0	0	0
9	27	123	0	0	0	0	0	0	0	0	0	0
10	27	123	0	0	0	0	0	0	0	0	0	0
11	27	123	0	0	0	0	0	0	0	0	0	0
12	27	123	0	0	0	0	0	0	0	0	0	0
13	27	123	0	0	0	0	0	0	0	0	0	0
14	27	123	0	0	0	0	0	0	0	0	0	0
15	27	123	0	0	0	0	0	0	0	0	0	0
16	27	123	0	0	0	0	0	0	0	0	0	0
17	27	123	0	0	0	0	0	0	0	0	0	0
18	27	123	0	0	0	0	0	0	0	0	0	0
19	27	123	0	0	0	0	0	0	0	0	0	0
20	27	123	0	0	0	0	0	0	0	0	0	0
21	27	123	0	0	0	0	0	0	0	0	0	0
22	27	123	0	0	0	0	0	0	0	0	0	0
23	27	123	0	0	0	0	0	0	0	0	0	0
24	27	123	0	0	0	0	0	0	0	0	0	0
25	27	123	0	0	0	0	0	0	0	0	0	0
26	27	123	0	0	0	0	0	0	0	0	0	0
27	27	123	0	0	0	0	0	0	0	0	0	0
28	27	123	0	0	0	0	0	0	0	0	0	0
29	27	123	0	0	0	0	0	0	0	0	0	0
30	27	123	0	0	0	0	0	0	0	0	0	0
31	27	123	0	0	0	0	0	0	0	0	0	0
32	27	123	0	0	0	0	0	0	0	0	0	0
33	27	123	0	0	0	0	0	0	0	0	0	0
34	27	123	0	0	0	0	0	0	0	0	0	0
35	27	123	0	0	0	0	0	0	0	0	0	0
36	27	123	0	0	0	0	0	0	0	0	0	0
37	27	123	0	0	0	0	0	0	0	0	0	0
38	27	123	0	0	0	0	0	0	0	0	0	0
39	27	123	0	0	0	0	0	0	0	0	0	0
40	27	123	0	0	0	0	0	0	0	0	0	0
41	27	123	0	0	0	0	0	0	0	0	0	0
42	27	123	0	0	0	0	0	0	0	0	0	0
43	27	123	0	0	0	0	0	0	0	0	0	0
44	27	123	0	0	0	0	0	0	0	0	0	0
45	27	123	0	0	0	0	0	0	0	0	0	0
46	27	123	0	0	0	0	0	0	0	0	0	0
47	27	123	0	0	0	0	0	0	0	0	0	0
48	27	123	0	0	0	0	0	0	0	0	0	0
49	27	123	0	0	0	0	0	0	0	0	0	0
50	27	123	0	0	0	0	0	0	0	0	0	0
51	27	123	0	0	0	0	0	0	0	0	0	0
52	27	123	0	0	0	0	0	0	0	0	0	0
53	27	123	0	0	0	0	0	0	0	0	0	0
54	27	123	0	0	0	0	0	0	0	0	0	0
55	27	123	0	0	0	0	0	0	0	0	0	0
56	27	123	0	0	0	0	0	0	0	0	0	0

